



FIXNORDIC.DK

# Cable flashing Ø75 and Ø110 mm From FIXNORDIC



EN1253

TÜVRheinland®



LGAM

Product testing and certification have  
been performed based on EN 1253



## DATASHEET

Cable flashing Ø75 and Ø110 mm  
From FIXNORDIC

## PRODUCT DESCRIPTION

**FIXNORDIC cable flashing Ø75 and Ø110 with detachable bends**  
Cable flashing for safe penetration on the roof.

### APPLICATION

Safe cable penetration for installations on roofs with roofing felt or foil membranes, through which cables can be pulled without obstacles from edges and protruding contours.

## ORDERING

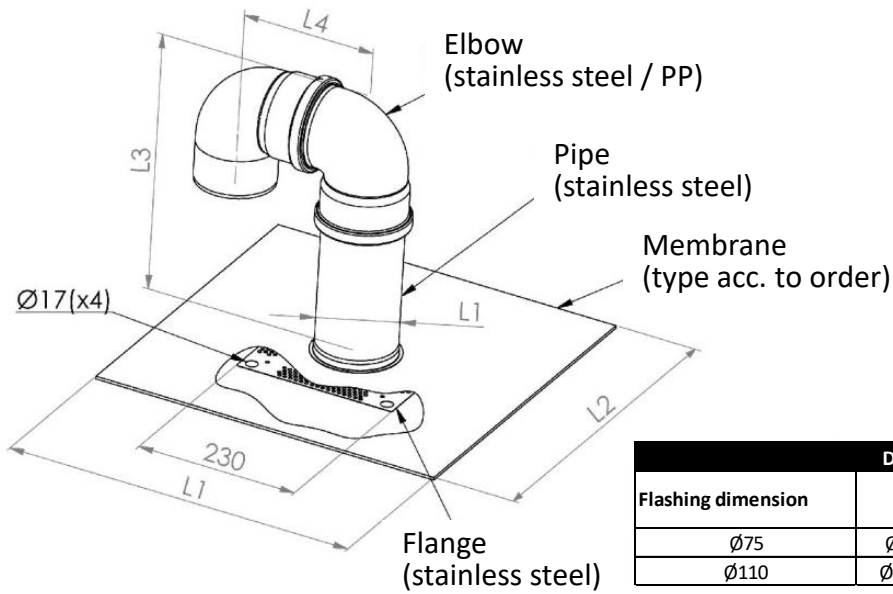
Type	Article number		Membrane
	Ø75	Ø110	
FIXNORDIC cable flashing, bitumen + PP elbow	71075KP-P-xxx	71110KP-P-1xx	<b>E.g.: 71075KP-P-xxx</b>  "xxx" is the membrane code  Examples: SBS code 107 APP code 114
FIXNORDIC cable flashing, bitumen + stainless steel elbow	71075KP-R-xxx	71110KP-R-1xx	
FIXNORDIC cable flashing, foil + PP elbow	71075KP-P-xxx	71110KP-P-2xx	
FIXNORDIC cable flashing, foil + stainless steel elbow	71075KP-R-xxx	71110KP-R-2xx	
<b>Find the membrane code under "Membrane overview" at <a href="http://fixnordic.dk">fixnordic.dk</a></b>			

## MATERIALS

Elbow:	Stainless steel EN 1.4301/AISI 304 or PP plastic
Flange:	Stainless steel EN 1.4301/AISI 304 for bitumen membrane or foil coated steel flange for foil membrane
Pipe:	Fully welded pipe and assembly ring in stainless steel EN 1.4401/AISI 316
Membrane:	The type of the integrated membrane shall be specified for each project

Installation and use must take place according to the latest industry instructions, and compatibility with the membrane of the roof must be ensured.

## TECHNICAL SPECIFICATIONS



Dimension overview					
Flashing dimension	L1	L2		L3	L4
		Bitumen	Foil		
Ø75	Ø75	500	330	350	150
Ø110	Ø110	500	330	380	190

## DELIVERY

FIXNORDIC cable flashing can be supplied with two different bends. These are not mounted upon delivery, which facilitates the work of cable pulling and assembly.

Stainless steel elbow



PP elbow



## ASSEMBLY

