



FIXNORDIC.DK

Ventilation cowl for pitched roofs From FIXNORDIC



DATASHEET

Ventilation cowl for pitched roofs
From Fixnordic

PRODUCT DESCRIPTION

Ventilation cowl for pitched roofs

APPLICATIONS:

The ventilation cowl is a secure, watertight solution for terminating ventilation outlets which penetrate the roofing membrane on pitched roofs. The cowl is designed for installation on roofs with weldable bituminous membranes.

The cowl is adjustable from 11° to 55°.

The cowl can be supplied with 15 mm mineral wool to prevent condensation.

MATERIALS:

Flashing material: Fast Flash, 680 x 1180 mm, black; for other types and colours, please contact FIXNORDIC.

Square pipe:

Zinc no. 14 (0,8 mm)

Black powder coated aluminium (1,25 mm)

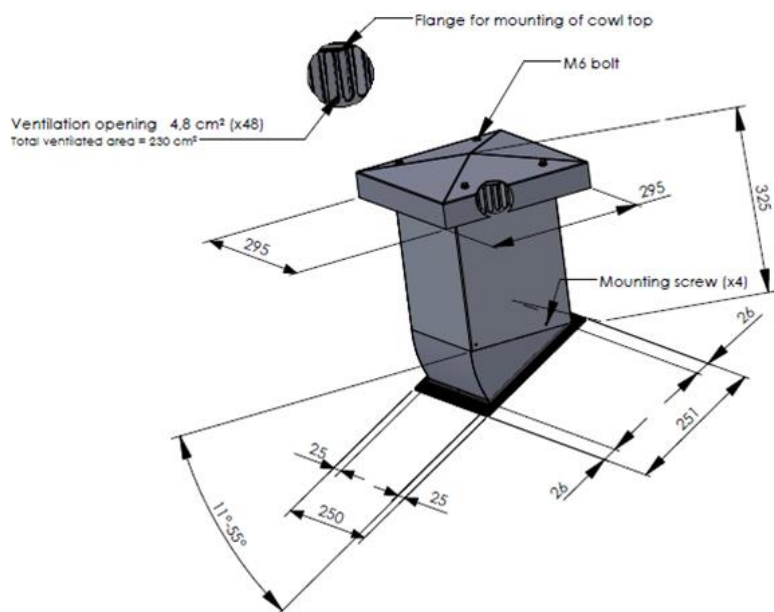
Installation and application must be conducted in accordance with current industry standards and compatibility with the roofing membrane must be ensured.

ARTICLE NUMBERS

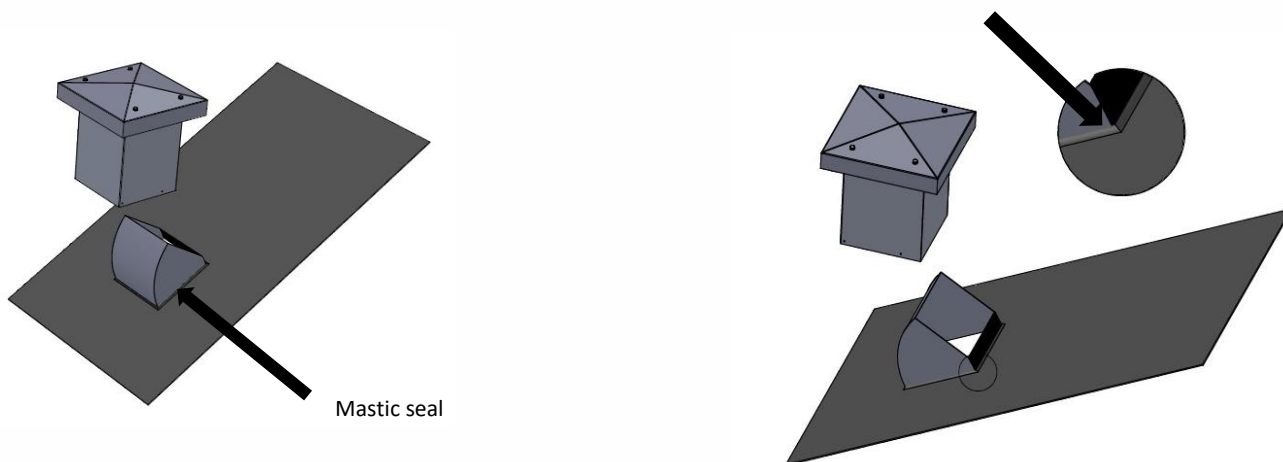
| TYPE | MATERIAL | DIMENSION | ARTICLE NO. |
|------------------|--|--------------|-------------|
| Ventilation cowl | Zinc no. 14 | 200 x 200 mm | 8022055-520 |
| Ventilation cowl | Zinc no. 14, insulated | | 8122055-520 |
| Ventilation cowl | Black powder coated aluminium | | 8012055-520 |
| Ventilation cowl | Black powder coated aluminium, insulated | | 8112055-520 |



TEKNICAL INFORMATION



The pipe is pressed into the mastic seal on the rear side



For extra protection against water it is recommended to apply a mastic seal between the bottom part of the ventilation cowl and the roof surface. When installing the cowl pipe, press it down into the mastic seal on the rear side (the low side) of the bottom part, and then secure it on both sides with the included mounting screws (x4).

