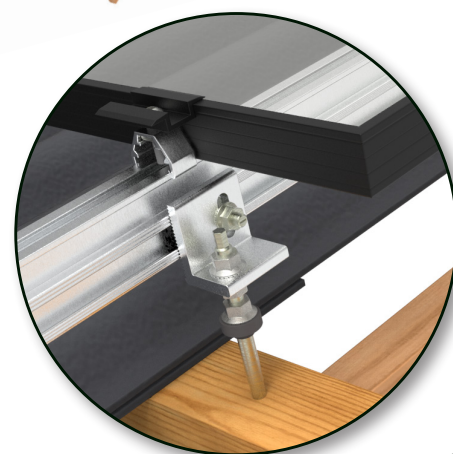
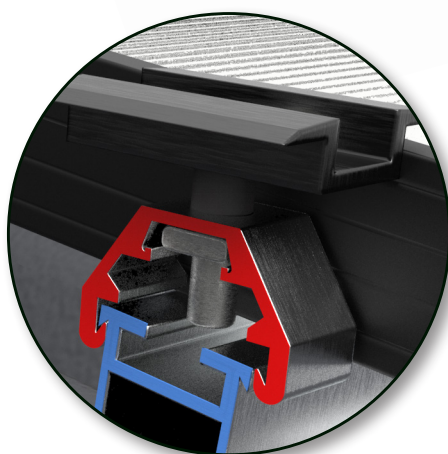
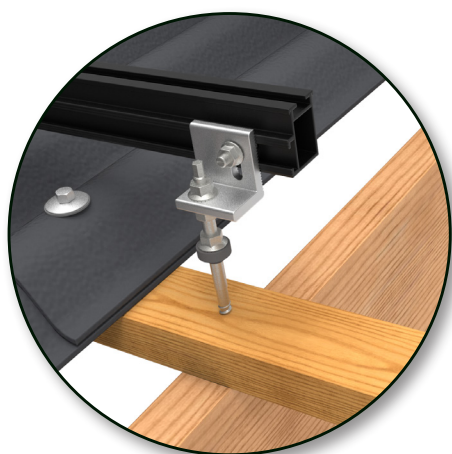
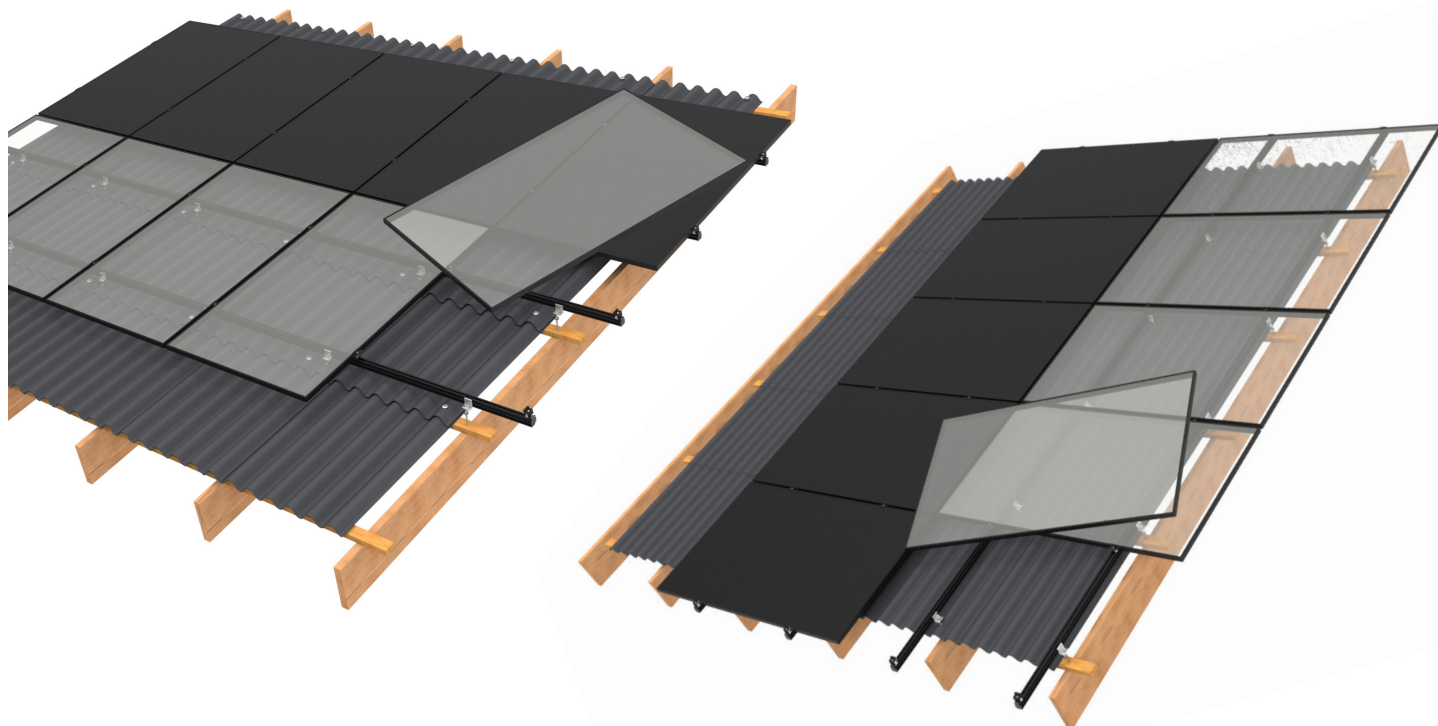


# Installation system for solar panels for eternit roofing From FIXNORDIC



FIXNORDIC.DK



## DATASHEET

Hanger bolt system  
From FIXNORDIC

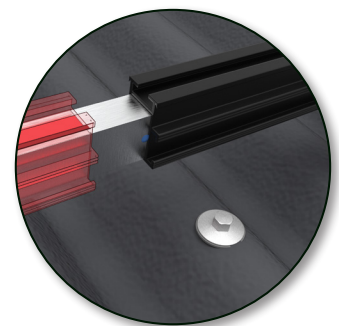
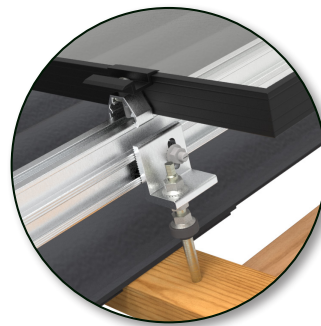
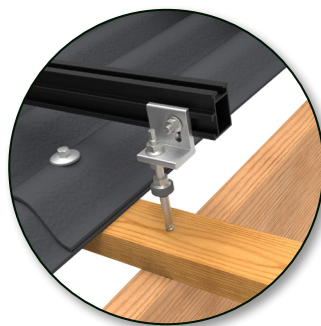
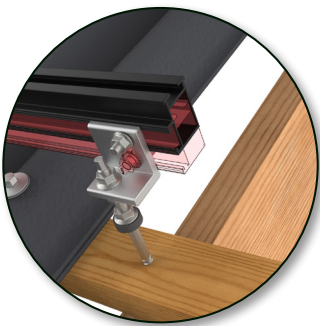
## PRODUCT DESCRIPTION

### FIXNORDIC installation system for eternit

*The mounting system for eternit is a flexible mounting system designed for carrying out photovoltaic installations on pitched roof surfaces with eternit or similar types of corrugated roofing.*

The installation system for eternit is designed with a number of different details which contribute to great flexibility both in relation to the installation, but also in relation to the design of the specific installation. In addition, emphasis has also been placed on ensuring that the finished installation provides a professional and neat result.

- Both raw and black anodized aluminium carriage profiles are available
- Portrait and landscape panels can be designed
- There is a built-in horizontal adjustment option for placement in relation to trusses
- An adjustment option for carriage profiles perpendicular to the roof ridge is included



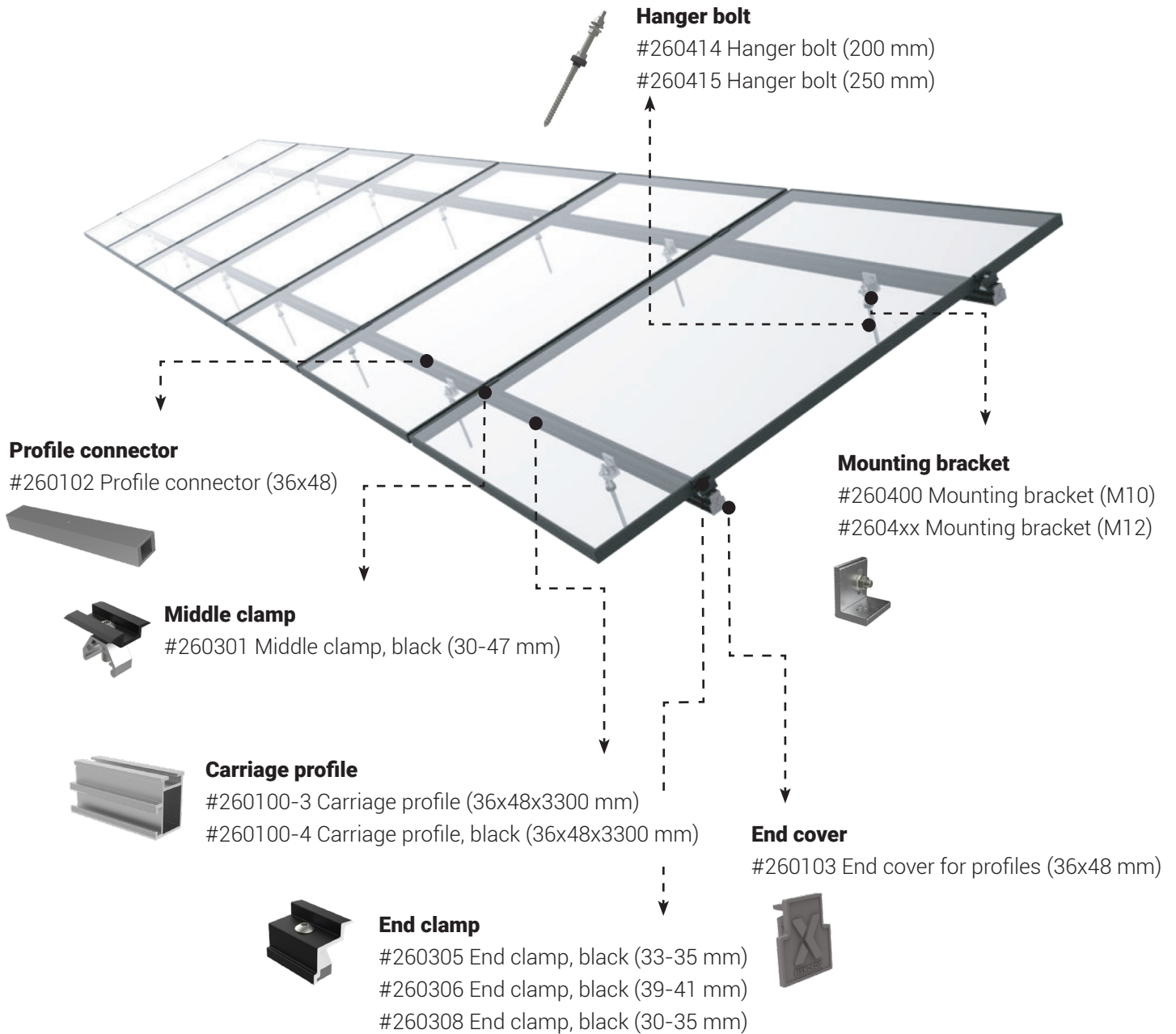
## APPLICATION / PLANNING

In connection with the application and planning of installation projects with the FIXNORDIC eternit installation system, fastening should be carried out in each roof truss or in purlins where this is acceptable in terms of load, and with truss distances of up to about 1200 mm, as a guideline. Under these conditions, the mechanical loads on the solar cell installation from snow and wind for a typical design situation in Denmark for typical buildings will normally comply. For exposed areas, taller buildings or special structures, a closer examination of the actual conditions should be carried out, and the selection of screws and installation should be carried out according to generally accepted terms.

## MATERIALS

Hanger bolt	Stainless steel (A2-70)
Hanger bolt (seal):	Sun- and weather-resistant EPDM
Miscellaneous angle brackets:	Aluminium 6060/6063-T6
Panel clamp:	Aluminium 6060/6063-T6*
Carriage profiles:	Aluminium 6060/6063-T6*
Carriage profile connector:	Aluminium 6060/6063-T6
Miscellaneous bolts and nuts:	Stainless steel AISI 304 (A2-70)
*Surface-treated components are delivered black anodized	

# 3 ARTICLE NUMBER OVERVIEW (carriage profiles parallel to the roof ridge)



# 4 ARTICLE NUMBER OVERVIEW (carriage profiles perpendicular to the roof ridge)

