



FIXNORDIC.DK

Cable flashing for pitched roof From FIXNORDIC



DATASHEET

**Cable flashing for pitched roof
From FIXNORDIC**

PRODUCT DESCRIPTION

FIXNORDIC cable flashing for pitched roof

For secure and watertight flashing of roof penetrations for electrical cables on pitched roofs with roof membrane.

APPLICATION

The cable flashing has been designed especially for solar installation and can be installed discretely near by the solar installation.

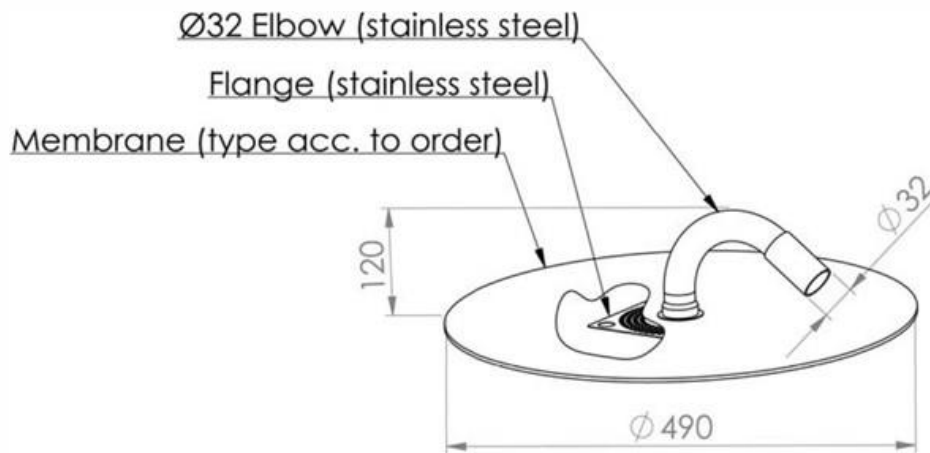
ORDERING

| Type | Varenummer |
|--|--|
| Cable flashing for pitched roof | 220055-1xx Article number – membrane code |
| Find the membrane overview under "Membrane overview" at fixnordic.dk | |

MATERIALS

| | |
|-----------|---|
| Flange: | Stainless steel |
| Pipe: | Stainless steel |
| Membrane: | The type of the integrated membrane can be specified for each individual project. |

TECHNICAL SPECIFICATIONS



INSTALLATION

GENERAL INSTALLATION GUIDELINES

In order to ensure industry compliance and compliance to specific requirements set by the roofer and the building owner it is important, throughout the planning phase, to identify which type and possibly which brand of roofing membrane the flashing shell is configured.

The flashing is designed and integrated with a circular piece of membrane and the specific orientation of each flashing is therefore not important, however it is recommended that the free elbow-end points towards the eaves of the roof.

