



**FIXNORDIC.DK**

# Roof console From FIXNORDIC



## DATASHEET

Roof console  
From Fixnordic



EN1253

TÜVRheinland®



Product testing and certification is based on EN1253

## PRODUCT DESCRIPTION

### Roof console

#### *For roofs with bitumen membrane or roofing foil*

The FIXNORDIC roof console allows the installation of PV systems, heat pumps, heat collectors, roof terraces and similar installations with a membrane-based roof covering (bitumen membrane or roofing foil).

The product line includes standard solutions that ensure flawless installation on both cold and warm roof structures with the typical construction type structures: plywood, rafters, concrete or steel trapez roofs. The roof console is suitable for both flat roof mounting and inclined roofs, provided that the specific type of roof construction is taken into account.

The roof console ensures a technically correct installation on roofs with membrane covering, where the function of the roof remains unchanged and where the service life and guarantee of the roof is maintained. The console solution also ensures that installations can be carried out on all roof surfaces, provided that the individual roof construction is taken into account.

The solution also ensures that safe installations can be carried out without further intervention on roof surfaces whether wind, snow or other loads.

## APPLICATION AND LOAD CAPACITY

A precondition for an effective application of the roof console is a qualified analysis of the various loads, e.g. wind, snow, imposed loads and self-weight load, which have an effect on each console over the service life of the system.

It is crucial that the analysis focuses on the overall system and also on elements such as: roof structure, vapour barrier, insulation thickness, etc. If the relevant stakeholders, such as e.g. design engineers or system suppliers, are involved, the costs of the system installation can usually be optimized.

If the customer is looking for a solution for solar panels, heat collectors, roof terraces or similar, FIXNORDIC offers a complete system. Starting in the current project with drawings and loads, a complete standard system documentation can be prepared.

## MATERIALS

Flange:	Stainless steel
Roof console top:	Stainless steel
Roof membrane, upper layer:	Roofing foil or bitumen membrane – can be specified according to the project
Roof membrane, lower layer:	Bitumen membrane

## INSTALLATION

For more information on the detailed design of installations, please refer to the assembly instructions of the respective roof console.

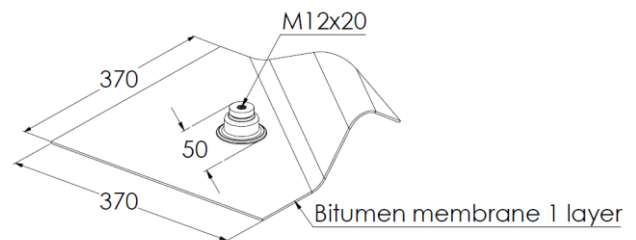
## ARTICLE NUMBERS

Type	Article number
Roof console, 1 layer bitumen membrane	220063-1xx
Roof console, 2 layers bitumen membrane	230063-1xx
Roof console, 1 layer roofing foil*	220063-2xx

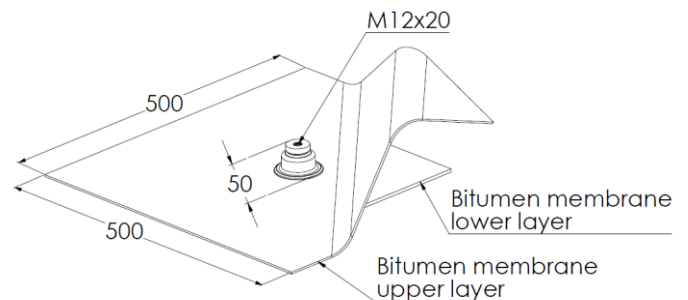
\* The membrane overview can be found under „Membrane overview“ at [fixnordic.dk](http://fixnordic.dk).

## DIMENSIONS

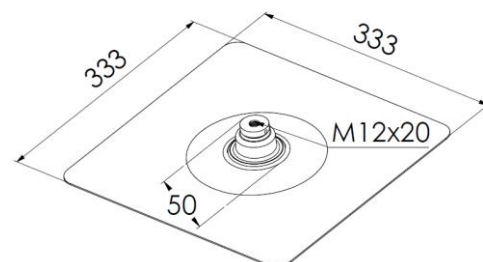
Roof console 1 layer bitumen membrane



Roof console 2 layers bitumen membrane



Roof console 1 layer roofing foil



## CONFIGURATION CONCEPT

The console solution is defined according to the existing roofing system, which also defines the requirements for e.g. 1 or 2 layer variants. If possible, FIXNORDIC recommends that you always use the same roofing membrane for the roof console that already exists on the existing roof surface.

The FIXNORDIC roof console can be used for most load situations and effectively directs the forces into the load-bearing structure.

FIXNORDIC can help with advice for more accurate application.

The following overview shows the 3 different construction types.

## CONSOLE AND CONSOLE ADAPTER OVERVIEW WITH ARTICLE NUMBERS

	 <p>Cold roof*</p> <p><math>F_{x,Rd} = 0 - 2,5 \text{ kN}</math> <math>F_{z,Rd} = 2,0 - 6,0 \text{ kN}</math></p>	 <p>Warm roof*</p> <p><math>F_{x,Rd} = 0 - 1 \text{ kN}</math> <math>F_{z,Rd} = 2,0 - 3,5 \text{ kN}</math></p>	 <p>Warm roof*</p> <p><math>F_{x,Rd} = 0 - 2,5 \text{ kN}</math> <math>F_{z,Rd} = 2,0 - 6,0 \text{ kN}</math></p>
	* Typical load values per roof console		
Roof console		#220063-1xx #230063-1xx #220063-2xx	
Console adapter	#250087 	#250119 	#250084: 150 mm insulation #250085: 300 mm insulation #250086: 450 mm insulation 
Console anchor	#210066 	#210072-250 #210072-500 #210073-250 #210073-500 #210074-250 #210074-500 	#250082  #215004 

## SPECIAL ARGUMENTS FOR THIS CONSOLE TYPE

- The FIXNORDIC roof console ensures a load- and tension-free roofing membrane and avoids the risk of standing water and tension-related membrane damage, while keeping the function of the roof and the manufacturer's warranty intact.
- The FIXNORDIC roof console can be used on both hard and soft insulation types, as the console has a firm connection to the roof structure, and the insulation does not have to be presupposed as a load-bearing element for load transmission.
- The FIXNORDIC roof console is also the right solution for inclined roofs, cold or warm, and can be used on most roof structures, e.g. concrete, steel or wood.