



FIXNORDIC.DK

Soil pipe ventilation insert From FIXNORDIC



DATASHEET

Soil pipe ventilation insert
From FIXNORDIC

PRODUCT DESCRIPTION

FIXNORDIC soil pipe ventilation insert

APPLICATION

For installation in 200 x 200 mm ventilation cowl in aluminium, zinc and stainless steel. This includes ventilation cowls for flat roofs as well as adjustable models for pitched roofs.

By using soil pipe ventilation inserts it is possible to achieve a uniform appearance of all ventilation outlets.

MATERIALS

Pipe: Aluminium EN AW-1050, 1,5 mm and 3,0 mm

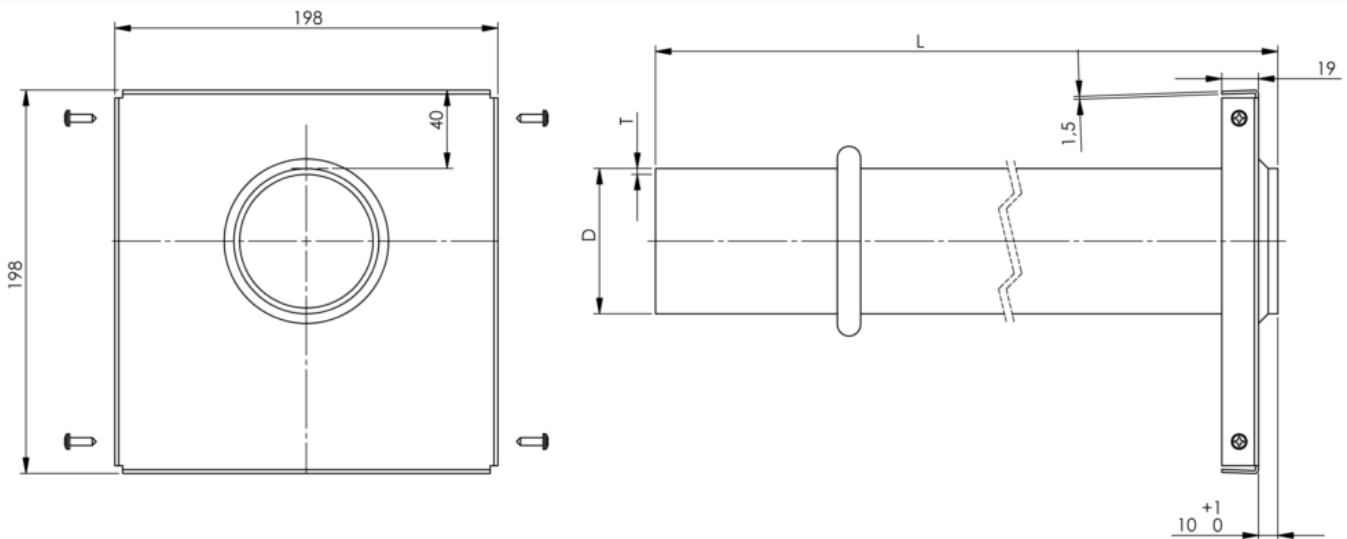
Flange: Aluminium EN AW-1050, 1,5 mm

Installation and application must be conducted in accordance with current legislation and industry standards.

ARTICLE NUMBERS

Type	Pipe diameter	Article number
Soil pipe ventilation insert 50 mm	Ø40	800050
Soil pipe ventilation insert 75 mm	Ø63	800075
Soil pipe ventilation insert 90 mm	Ø75	800090
Soil pipe ventilation insert 110 mm	Ø90	800110

TECHNICAL INFORMATION



Diameter	Thickness	Length	O-rings
D	T	L	Thickness
Ø40	1,5	450	5 mm
Ø63	1,5		6 mm
Ø75	3,0		8 mm
Ø90	3,0		10 mm

ACCESSORIES

- 1 set of self-tapping screws securing the soil pipe ventilation insert
- 1 tube of sealant for sealing the top
- 1 o-ring for sealing the connection in the soil pipe

