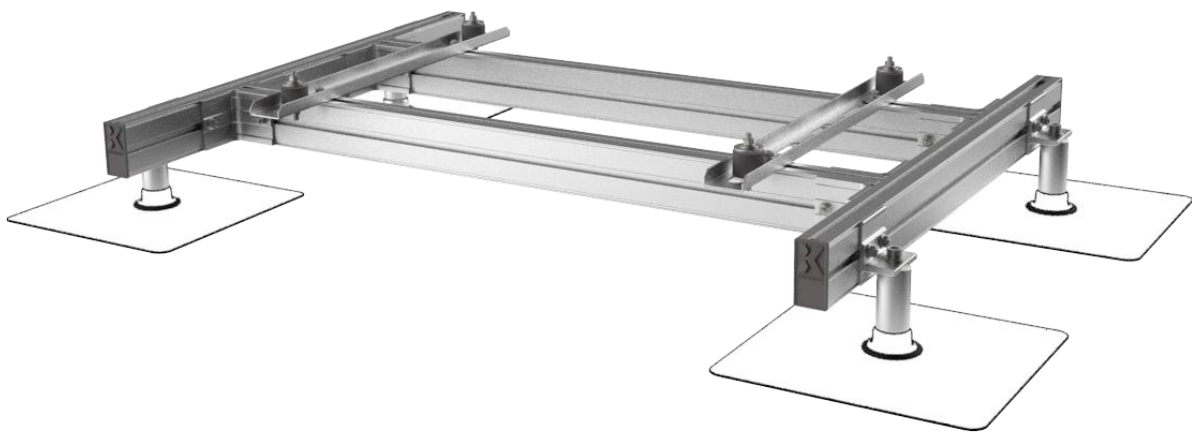




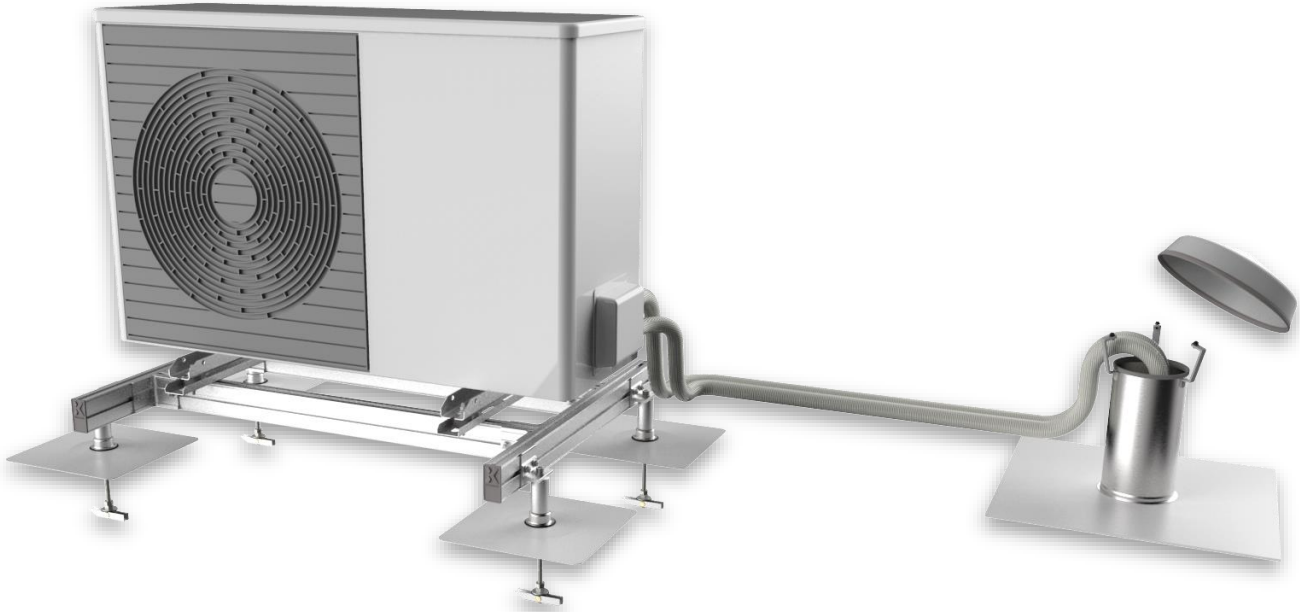
**FIXNORDIC.DK**

# UniMount From FIXNORDIC



# DATASHEET

**UniMount  
From Fixnordic**



## PRODUCT DESCRIPTION

### UniMount

#### *Universal and efficient assembly platform for heat pumps for flat roofs with membrane roofing*

The UniMount standard product line consists of 2 standard frame sizes designed for the installation of heat pumps of up to about 25 kW on flat roofs with a membrane-based roofing (bitumen membrane or roofing foil). The product line includes standard solutions that ensure a seamless installation on both cold and hot roof structures with the typical construction structures: plywood, rafters, concrete or steeltrapez roof decks. Assembly-wise, emphasis has been placed on supporting an efficient process, and the standard solutions specifically include FIXNORDIC standard tools to the extend that this is an advantage.

UniMount products ensure a technically correct installation of heat pumps on flat roofs with a membrane roof, where the function of the roof remains unchanged and where the life and warranty of the roof is maintained. The solution also ensures that safe installations can be carried out without further action on roof surfaces with high wind load.

## PRODUCT SELECTION

The choice of the correct UniMount frame size is easy, as for each frame size a specific heat pump dimensioning table has been made, where the individual heat pump can basically be found, after which the frame variant can be read. In cases where the specific heat pump is not shown in the table, the assembly dimensions can be clarified using the indicative dimension table.

When the frame size is selected, a fastening solution based on the current roof type must be chosen, where only one solution for foil\* or roofing felt must be selected.

\*The specific foil type must be stated when ordering.

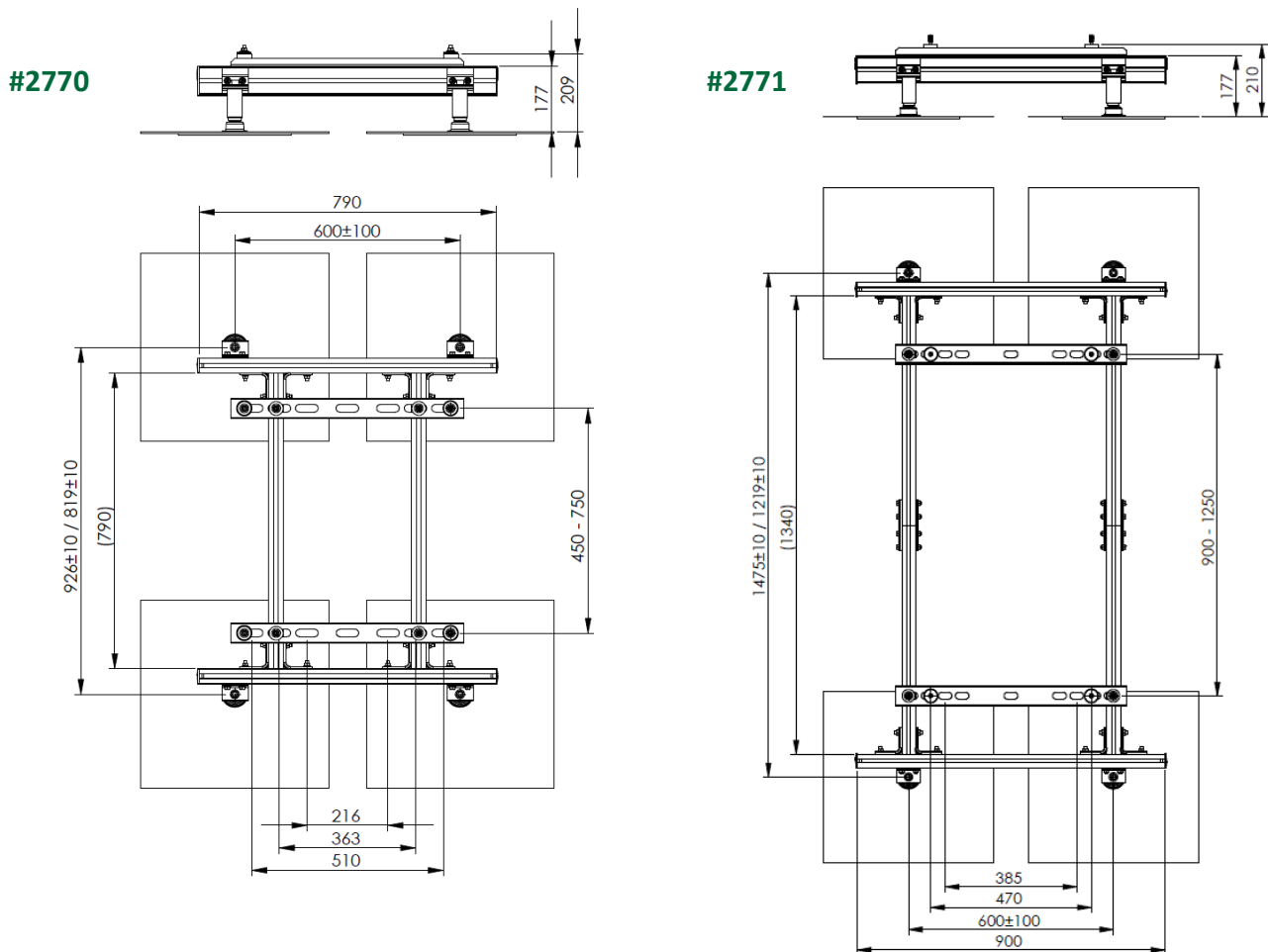
## MATERIALS

Carriage profiles:	Aluminium
Heat pump bracket:	Aluminium
Roof console:	Stainless steel
Misc. bolts and nuts:	Stainless steel
Roof membrane:	Roof foil or bitumen membrane

## INSTALLATION

For further information about the installation in detail we refer to the applicable UniMount installation guide or the installation guide of the specific roof console.

## DIMENSIONS



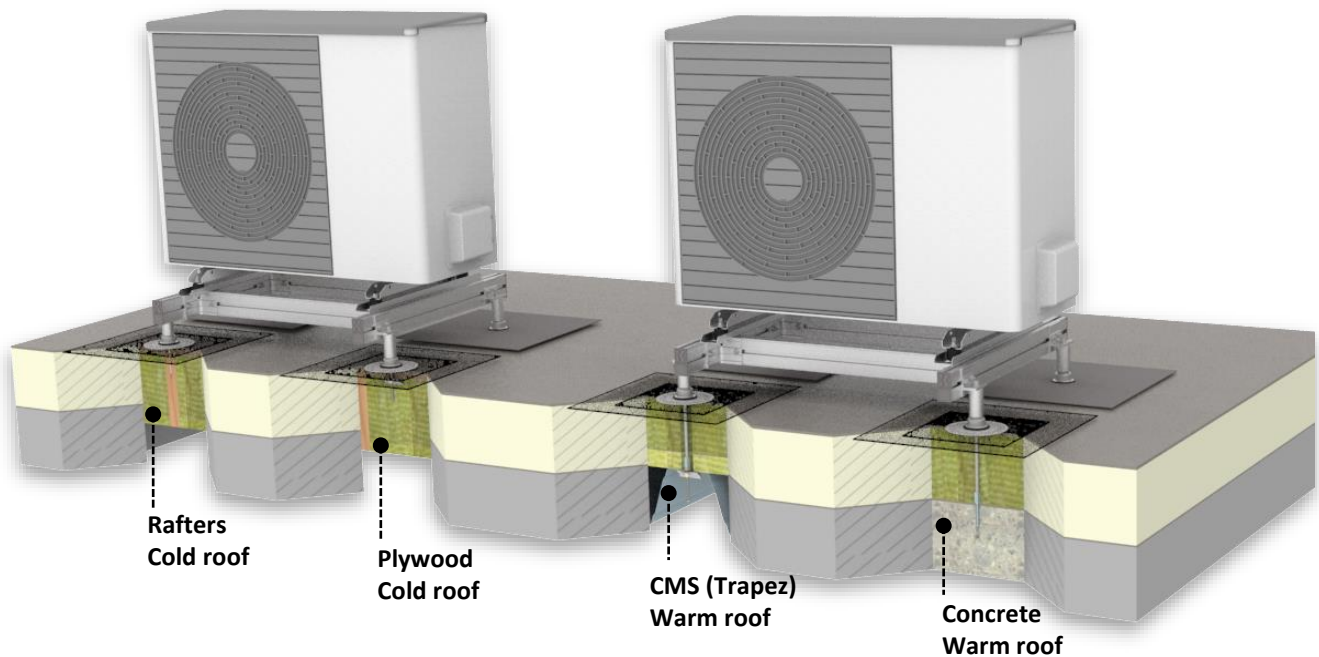
## APPLICATION TABLE

The frame system is directly adapted to the heat pumps in the table below, but the frame system can, of course, also be used for types of heat pumps other than the following; check the dimensions of the drawings on page 3 or please contact FIXNORDIC for advice and delivery of correct components.

UniMount model	Heat pump – brand and model	
2770	Bosch	Compress 3000 AWS ODU Split 4/6/8; Compress 7000i AW 5/7/9 OR-S
	MetroTherm	Metroair Split L6; Split L8; Split L12
	Mitsubishi	SRK20-35ZM-S; SRK50ZM-S
	Panasonic	WH-UD03JES; WH-UD05JES; WH-UD07JES; WH-UD09JES
	Vaillant	aroTHERM plus 3/5/6/7/10/12 kW Type VWL35-VWL75
	Weishaupt	WWP LS 8-B R-E; WWP LS 10/13/16-B-R-E
	Weissmann	Vitocal 200-A 201.A04 til A08
2771	MetroTherm	Metroair F6; F8; F12
	Vølund	F2040; F2120

## TYPES OF ROOFS / FIXATION

For each standard roof type, there is a corresponding installation guide for roof consoles to follow to ensure an acceptable and durable installation. The illustration below contains the standard roof constructions.



For more information about the individual roof console, please refer to FIXNORDIC's website.

## ARTICLE NUMBERS

Article number	Description
2770	UniMount Roof Platform (FN-H1)
2771	UniMount Roof Platform (FN-H2)
2770-05234-109-2	UniMount consoles 2 layers
2770-05234-299	UniMount consoles foil

Roof type	Insulation thickness	Board thickness / rafter width
Rafters		≥ 45 mm
Plywood		15-22 mm
Concrete	500 mm	
CMS (trapez)	450 mm	

## SCOPE OF DELIVERY AND CONFIGURATION

### Scope of delivery:

The UniMount system consists of 2 boxes containing all parts for assembly: 1 frame box + 1 console box.

### Roof consoles



Bitumen membrane or foil

### Frame system



Frame size FNH1 or FNH2

\*When ordering roof consoles for foil the specific foil type must be stated

\*Specific requirements to the bitumen membrane type must be stated when ordering

### Configuration of heat pump/UniMount:

You only need to know 2 things:

1. The size of the heat pump
2. Type of roofing membrane

Example: Bosch Compress 3000 heat pump is to be mounted on a cold roof roof on concrete elements:

From the application table on page 4 the Bosch heat pump and the #2770 UniMount Roof Platform are selected. (If the heat pump is not shown in the table, the size is checked with the dimensions of the 2 drawings and a model can be selected.) From the table above, select the roof console package #2770-05234-109-2 (UniMount Consoles 2 layers), suitable for bitumen membrane.

## SYSTEM OVERVIEW

UniMount system overview:



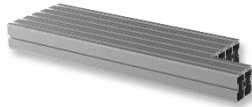
### UniMount Roof Platform

#2770 UniMount Roof Platform (FN-H1)

#2771 UniMount Roof Platform (FN-H2)



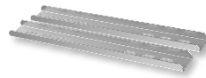
### UniMount Profiles



### Heat Pump Bracket

#270037 Heat Pump Bracket Light (for 2770)

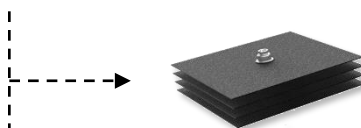
#270039 Heat Pump Bracket (for 2771)



### UniMount Roof Consoles

#2770-05234-109-2 UniMount Roof Consoles (Bitumen 2 Layer)

#2770-05234-299 UniMount Roof Consoles (Single Ply)



### Included Parts

Roof Consoles and anchors for:

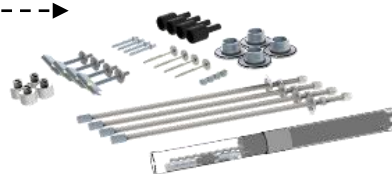
### Cold Roof

Rafter and Plywood

### Warm Roof

Trapez steel

Concrete



## PROJECT SOLUTIONS

At FIXNORDIC we can also dimension project solutions for ventilation and cooling/heating systems.

Please contact us to hear more about how we can help with your installation project.



The system above is an example of heat pump installation on FIXNORDIC's own roof.

FIXNORDIC A/S  
Satellitvej 3 • DK-8700 Horsens  
T +45 76 83 11 41  
Email: [fixnordic@fixnordic.dk](mailto:fixnordic@fixnordic.dk)



PART OF JUAL GROUP  
JUAL A/S // FIXNORDIC A/S // BYGTJEK A/S  
PERFORM A/S // SCANHEAT A/S //  
JUAL Roofing Technology China