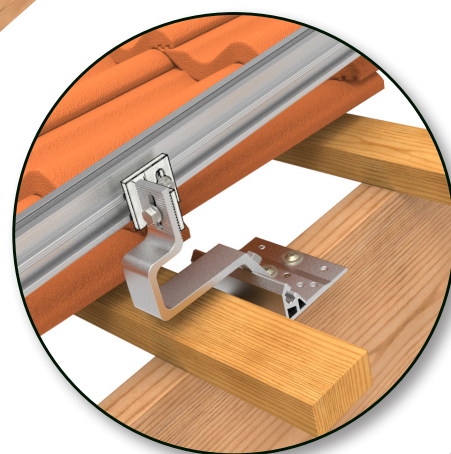
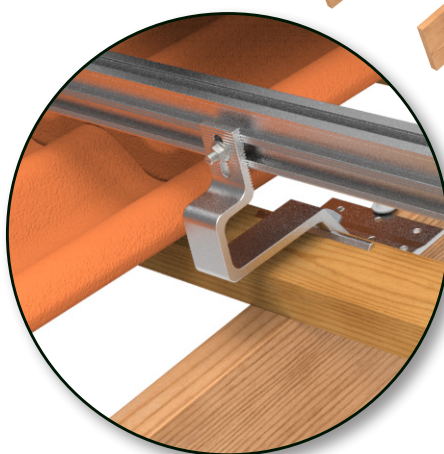
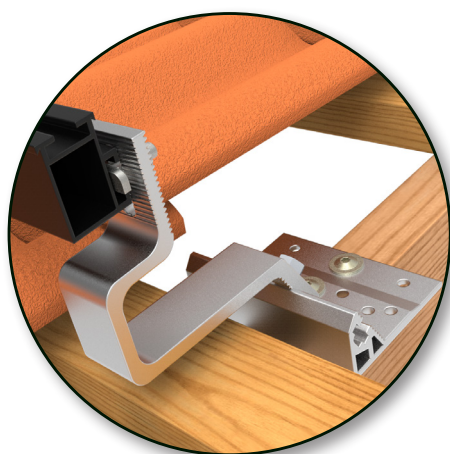
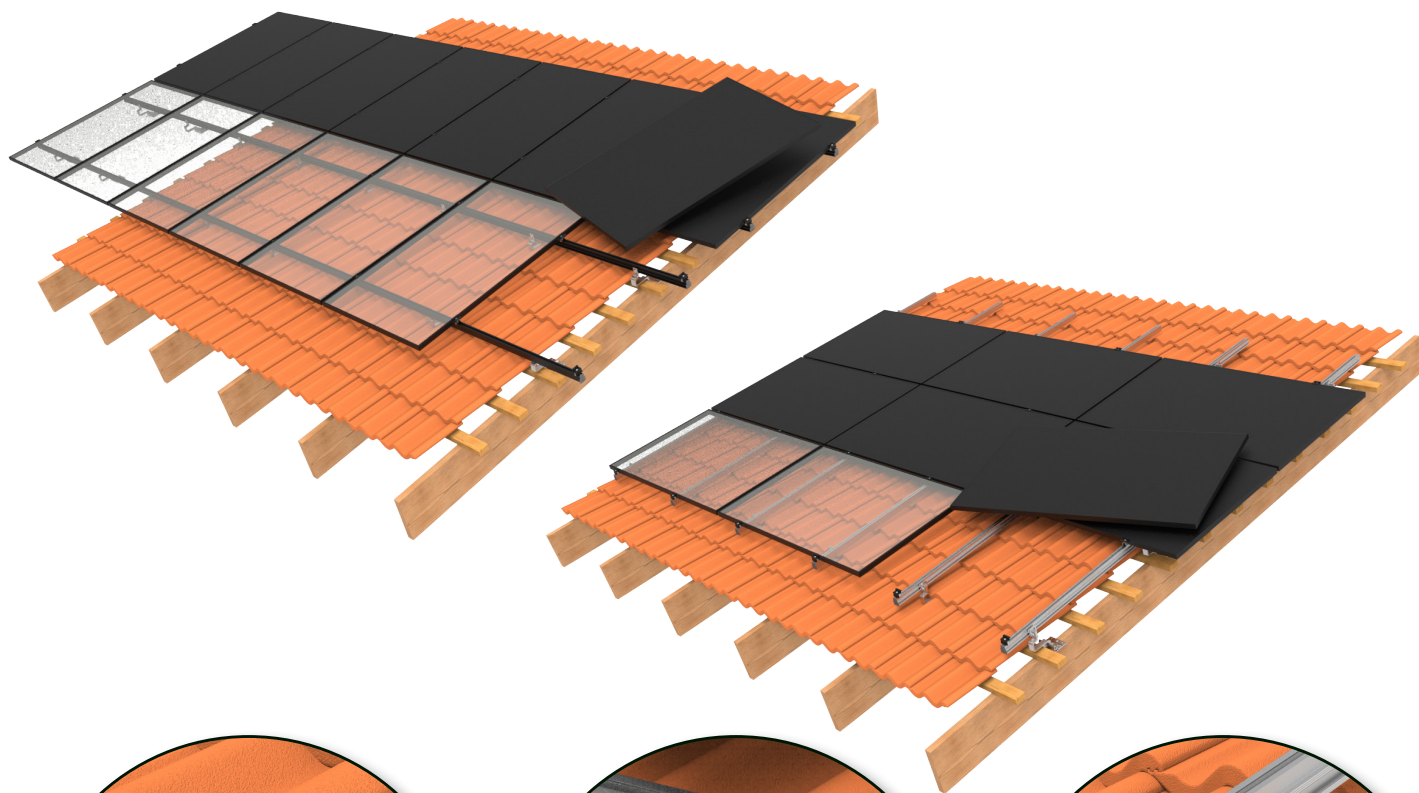


ROOF HOOK SYSTEM From FIXNORDIC



FIXNORDIC.DK



DATASHEET

Roof hook system
From Fixnordic

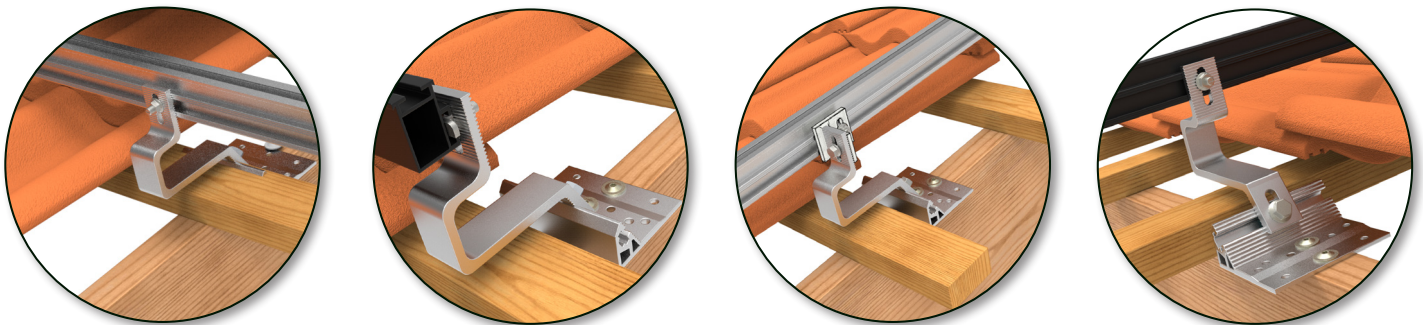
PRODUCT DESCRIPTION

FIXNORDIC Roof Hook system

The Roof Hook system is a flexible assembly system designed for the installation of solar panels on pitched roof surfaces with tile or tile-like roof coverings

The roof hook system is designed with a number of different details that contribute to great flexibility both in relation to the installation, but also in relation to the design of the specific installation. In addition, emphasis has also been placed on ensuring that the finished installation provides a professional and neat result.

- Both raw and black anodized aluminium carriage profiles can be supplied
- Designs with portrait and landscape panel orientation are possible
- A visual shielding of roof hooks against the roof base can be carried out
- There is a built-in horizontal adjustment option for placement relative to the rafters
- There is built-in roof perpendicular adjustment option



APPLICATION/PLANNING

When using and planning installation tasks with the FIXNORDIC Roof Hook system, it should be ensured that fastening is carried out on each roof rafter, where, as a guideline, span distances of up to around 1200 mm are within the scope.

Under these conditions, the mechanical loads on the solar installation from snow and wind for a typical design situation in Denmark for a villa or lower type of building will normally be met. For exposed areas, higher buildings or special constructions, a closer examination of the actual conditions should be carried out, as should the choice of screws and mounting according to generally accepted specifications.

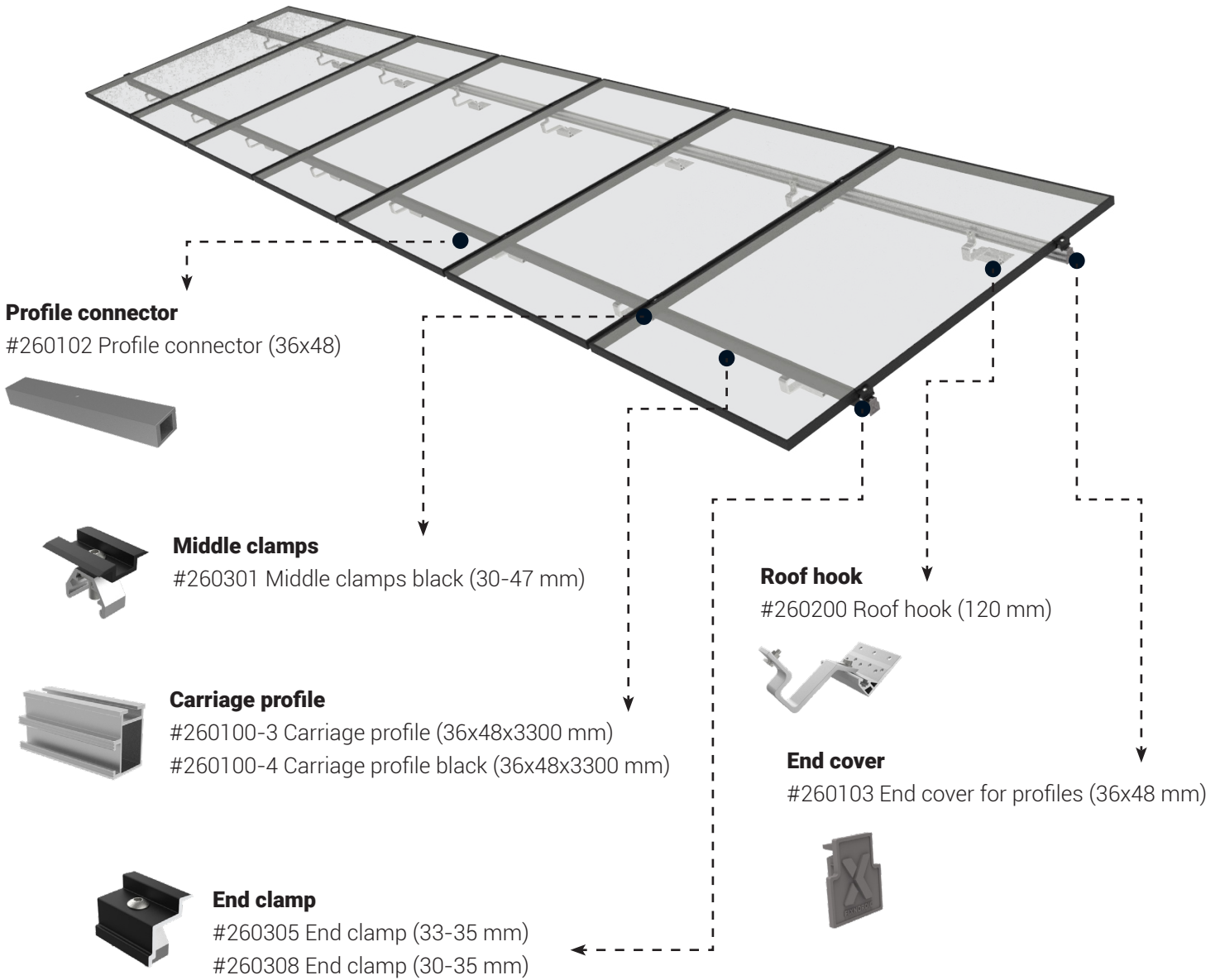
MATERIALS

Roof hook:	Aluminium 6060/6063-T5
Various angle connectors:	Aluminium 6060/6063-T5
Panel clamps:	Aluminium 6060/6063-T5*
Carriage profiles:	Aluminium 6060/6063-T5*
Profile connector:	Aluminium 6060/6063-T5
Various bolts and nuts:	Stainless steel AISI 304 (A2-70)

**Surface treated components are delivered black anodised.*



ARTICLE NUMBER OVERVIEW (carriage profiles parallel to roof ridge)



ARTICLE NUMBER OVERVIEW (carriage profiles perpendicular to roof ridge)

