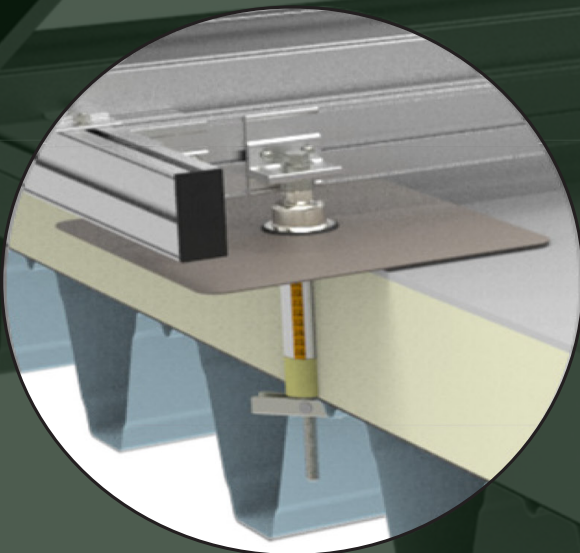




FIXNORDIC.DK

Roof Console - Warm Roof Trapez

(Console System for Thermal Collectors, Heatpumps etc.)

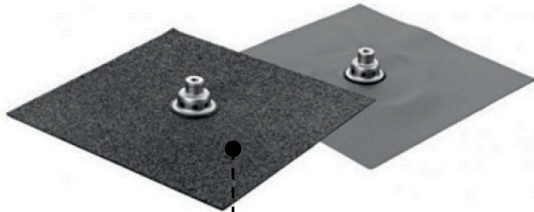


Installation Guide line for Roof Consoles on warm trapez roof constructions

FIXNORDIC
proof enough.



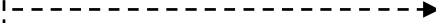
Product and accessory overview



Roof Console 1 layer

#220063-1xx 1 layer of bitumen

#220063-2xx folie (pvc, fpo, tpo etc.)



Console Anchors

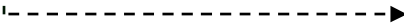
#250082 Hanger Bolt (M12x200)

#210066 Wood Screw

#210067 Concrete Bolt (Ø10x80)

#250088 Hanger Wood (M12x200)

#215004 Toggle Anchor (M12x200)



Console Adapters and insulation

#250087 Console Adapter (Ø80)



#250084-150 Console Adapter (Ø40x150)

#250085-300 Console Adapter (Ø40x300)

#250086-300 Console Adapter (Ø40x450)



The Insulation Tube (Ø40x50) will included in the article numbers #250084, #250085 and #250086.



Tools and symbol overview

The following list presents the necessary tools for performing an efficient and correct installation of the Roof Console on warm trapezoidal roof



Ruler



Miter Saw



Soft Hammer



Drill driver with a Torx 30 Bit



Wrench



Ø40 mm Insulation knife



Ø25 mm Hole Saw



M12 Bit Socket



19 mm Pipe Socket



Bitumen: Gas Torch
Single Ply: Hot Air Furn



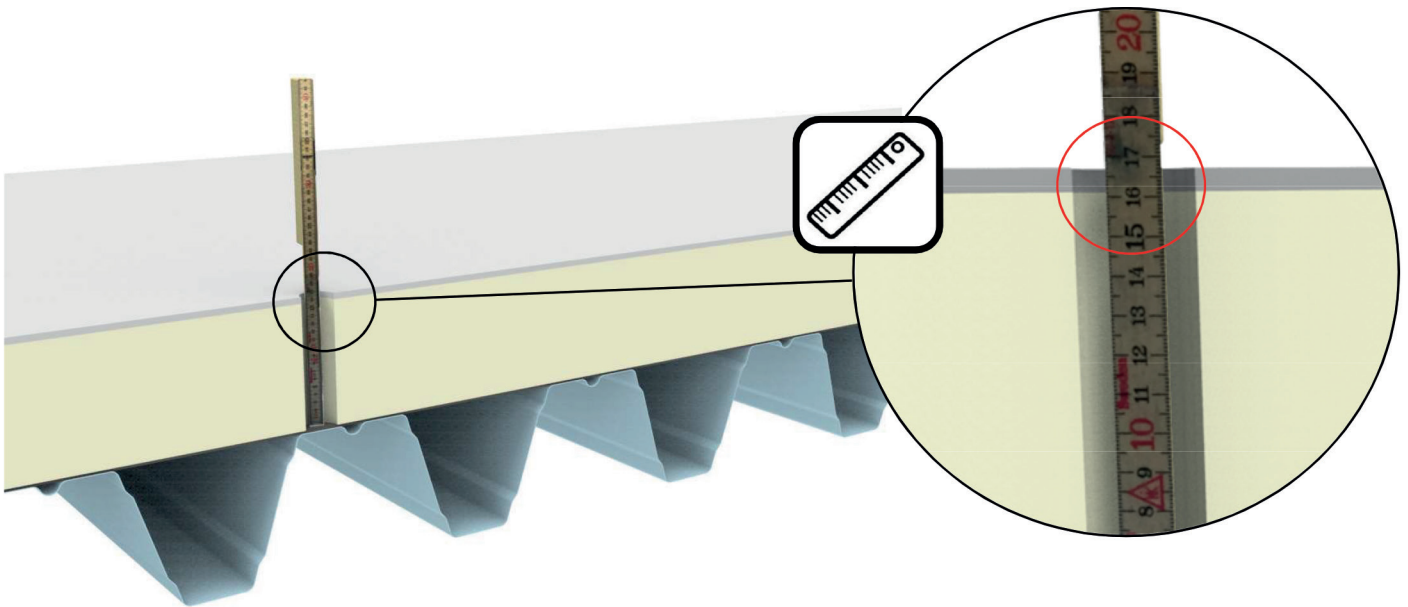
Manual handling



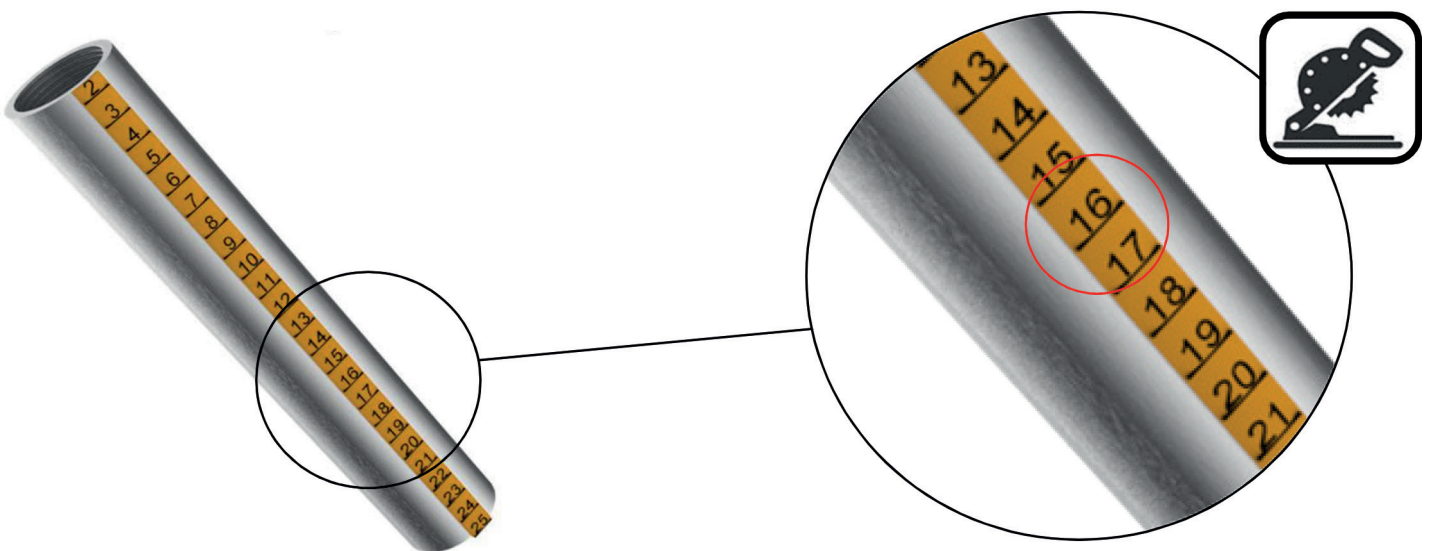
Tightening operation (clock wise rotation)



1. Console Adapter length-adjustment



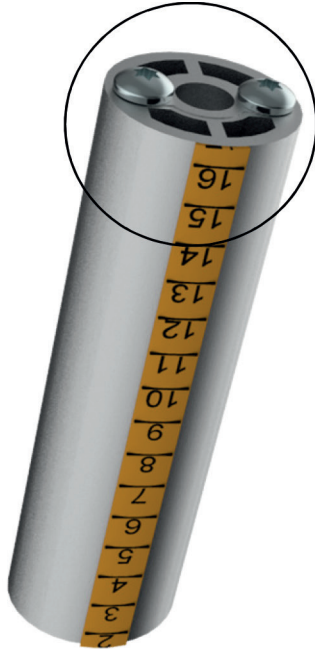
2. Console Adapter length-adjustment



When the insulation thickness has been measured for each specific Roof Console location each of the Console Adapters must be cut to the correct length. This is easily done as a length indicator on the Console Adapter directly corresponds to the measured value and cutting the Adapter Adapter using the length indicator will ensure system compliance.



3. Console Adapter pre-assembly

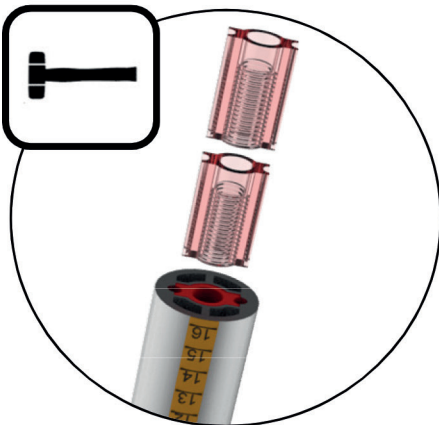


Console Adapter overview

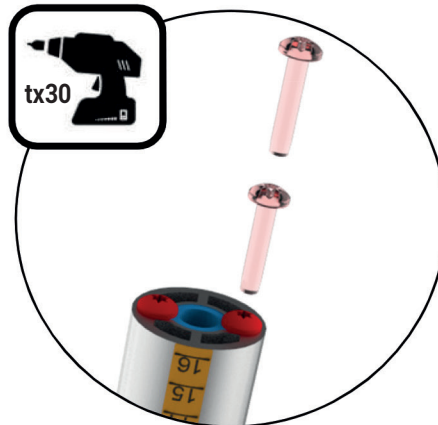


1. Console Adapter Thread Insert (M12)
2. Retaining Bolts
3. Console Adapter 150 or 300 mm

Constraining torque: 15 Nm



The first step in the assembly process is to insert the M12 Thread Insert into the Console Adapter basic profile. This is done by simply sliding the Insert in to the key hole and bring it to its intended position with an easy stroke of a soft hammer.

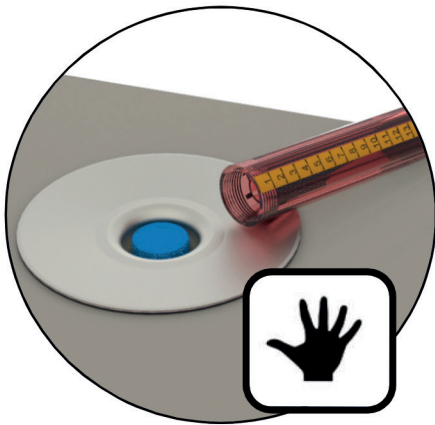


With the Thread Insert in position it must be constrained by turning in the two M6 bolts until they each reach their natural stop.

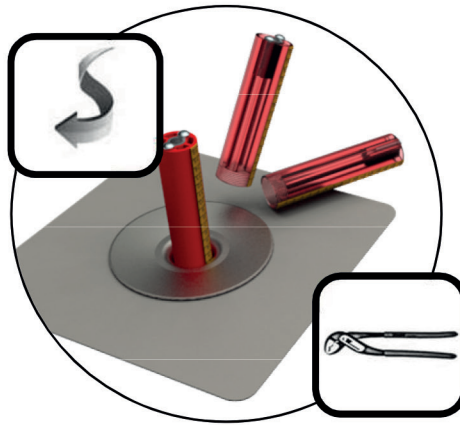


After the two bolts have been retained correctly the console is ready to be assembled with the Roof Console.

4. Roof Console pre-assembly



The pre-assembled Console Adapter must be installed by engaging the internal M35 thread with the M35 thread inside the Console housing.



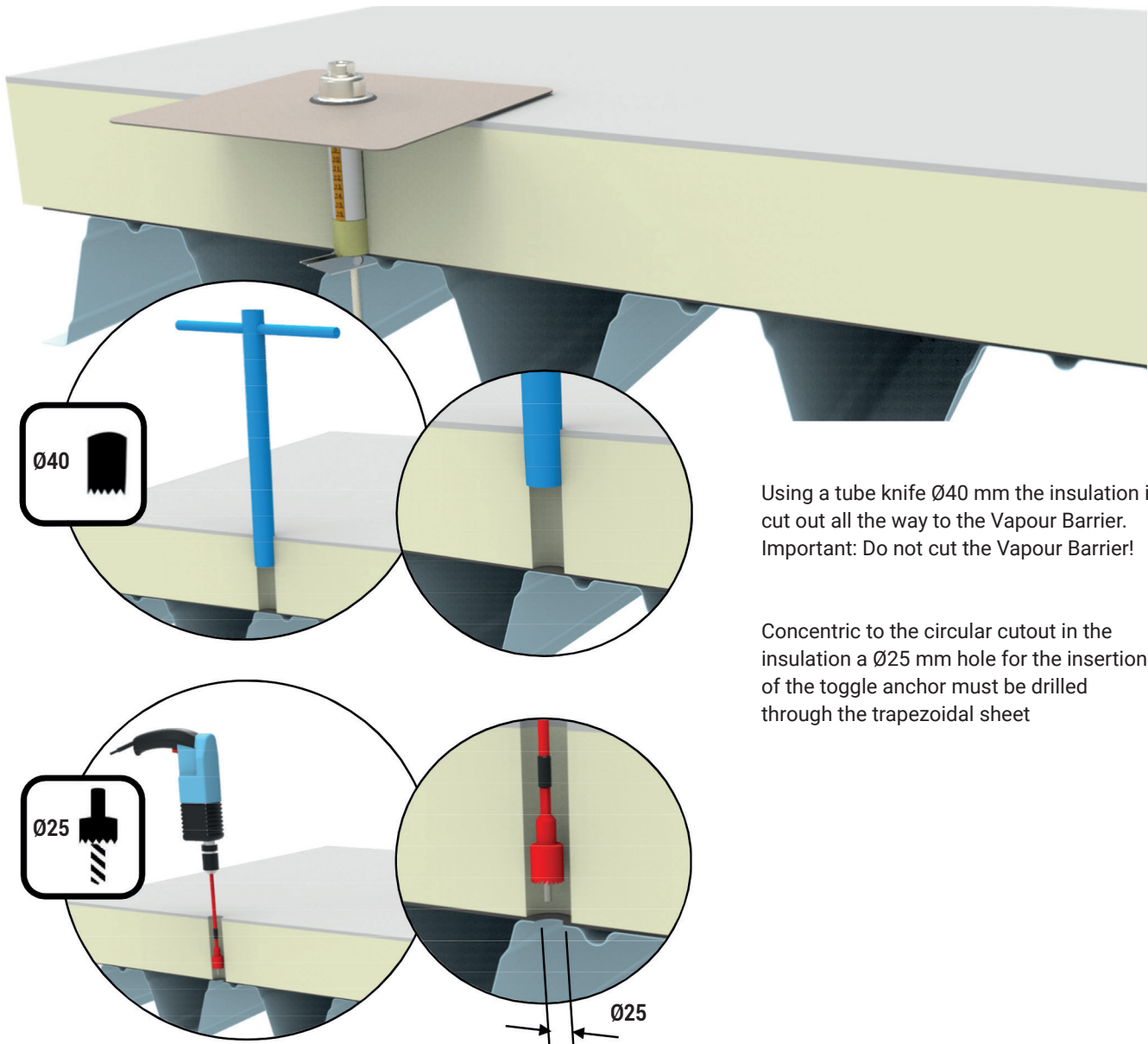
The Console Adapter is turned with the hand until it reaches a natural stop whereafter it is tightened with a wrench or similar.



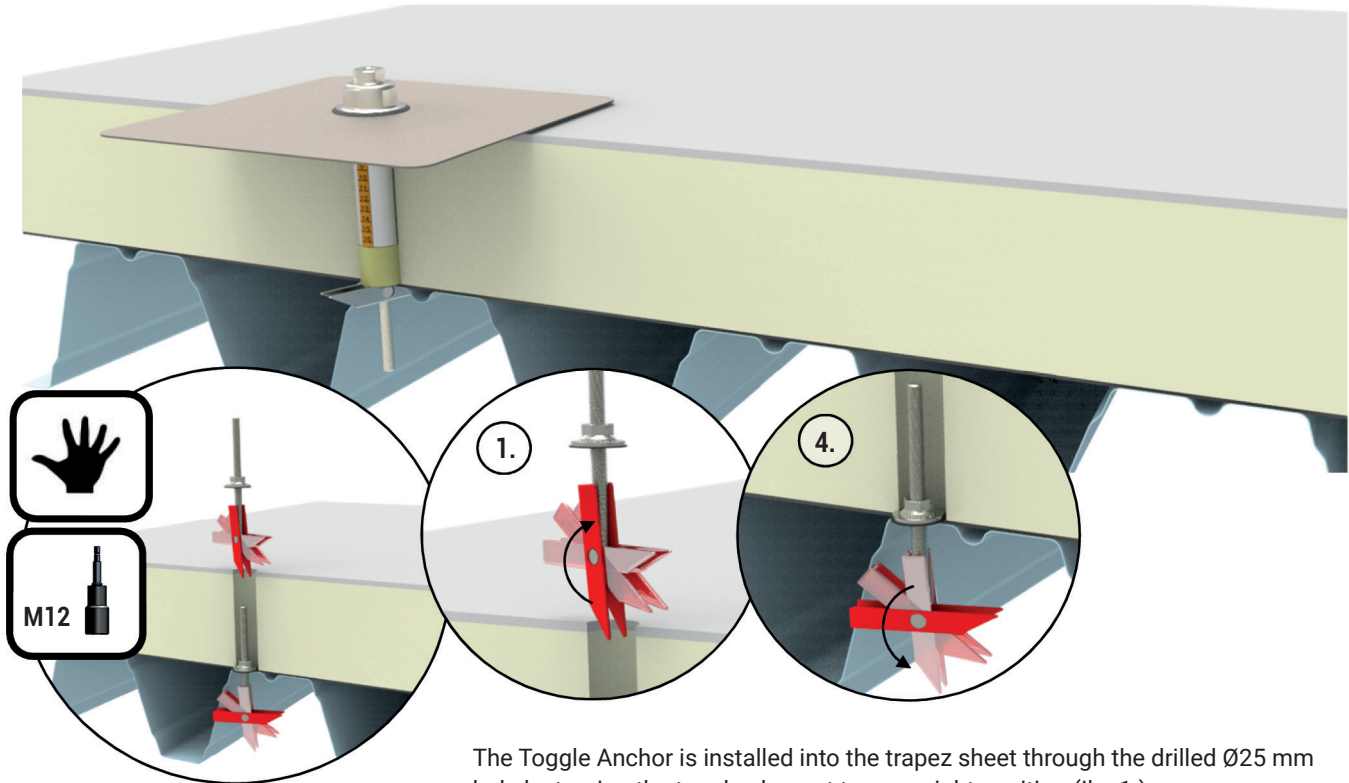
When the Console Adapter is mounted the installation the anchor can be initialized.



5. Anchor and Console Installation (Insulation cut-out and drilling)



6. Anchor and Console Installation (Toggle Anchor)

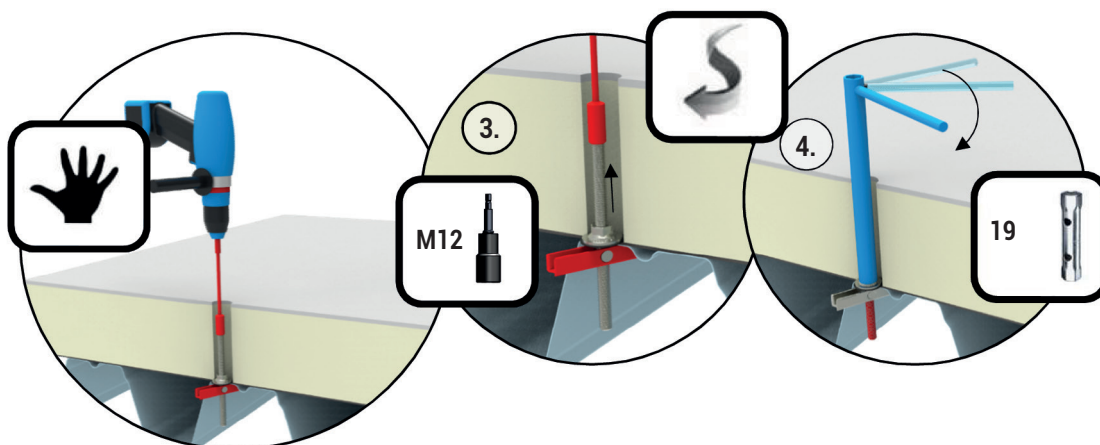


The Toggle Anchor is installed into the trapez sheet through the drilled $\varnothing 25$ mm hole by turning the toggle element to an upright position (llu. 1.).

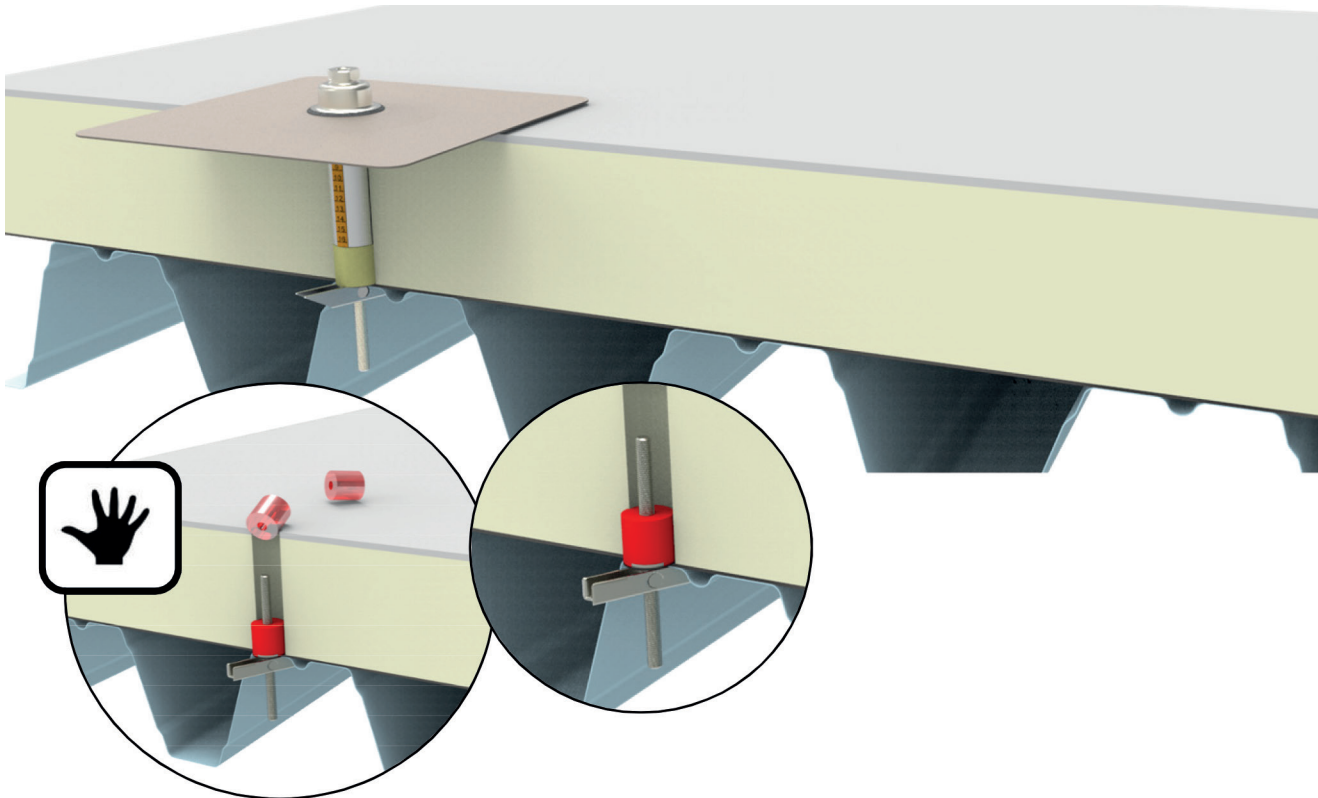
Once the Anchor has been inserted the Toggle Element falls back against the M12 Threaded Rod (llu. 2.) where a correct preadjustment ensures that the Element ends up in a horizontal position.

At this stage the M12 Bit Socket is engaged to the protruding M12 Threaded Rod (llu. 3.) and while pulling the Anchor upwards it is turned clock wise until it reaches it's final position.

As the last step the anchor is tightend using a 19 mm pipe socket.

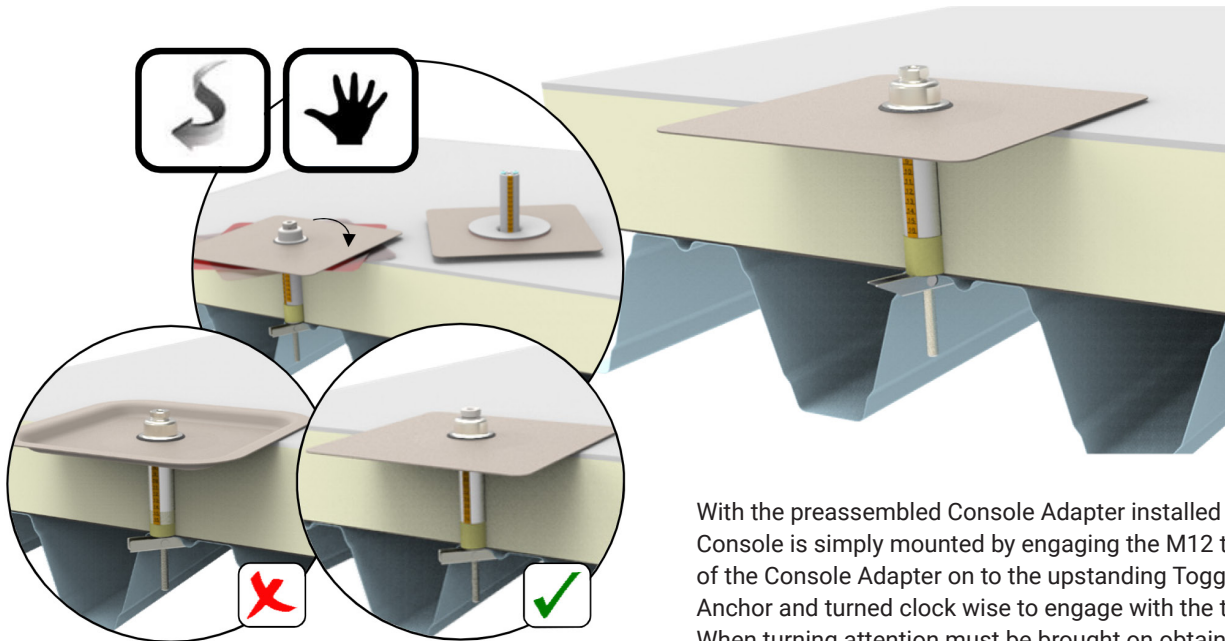


7. Anchor and Console Installation (Insulation Tube)

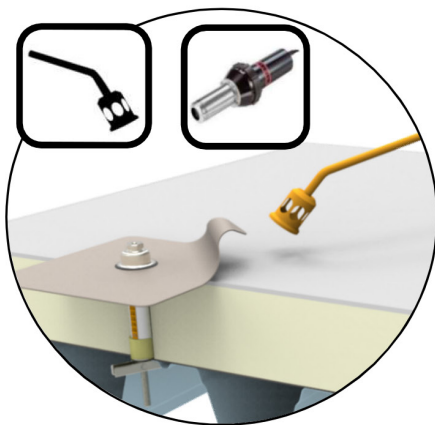


With the M12 Threaded end of the Toggle Anchor protruding up from the trapez deck the $\text{Ø}40 \times 30$ mm insulation tube must be inserted.

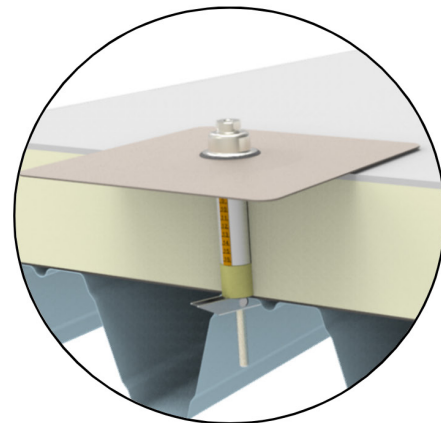
8. Anchor and Console Installation (Console installation torching and welding)



With the preassembled Console Adapter installed the Console is simply mounted by engaging the M12 thread of the Console Adapter on to the upstanding Toggle Anchor and turned clock wise to engage with the thread. When turning attention must be brought on obtaining good contact with the existing roof and not to over turn the console and hereby creating tensions in the membrane or unintended deformation of the supporting insulation.



Once the Console has been brought to the intended position in good contact with the general roofing surface and with its perimeter edges correctly aligned, the membrane of the console is either torched or welded to the existing roof. The welding process depends on the type membrane.



When the Roofer has completed the welding process the installation of the Console is completed and the following installation of Collector Platforms, Heat Pump framing etc. can be initialized. Please refer to the specific FIXNORDIC installation guide line for more information.

