



FIXNORDIC.DK

Roof console for pitched roof From FIXNORDIC



EN1253



TÜVRheinland®

LGAM

Product testing and certification have been performed based on EN 1253



DATASHEET

Roof console for pitched roof
From FIXNORDIC

PRODUCT DESCRIPTION

FIXNORDIC roof console for socket set screw, toggle anchor etc.

For efficient and secure fastening of structural elements or installations with socket set screws, toggle anchors, etc. on cold roof membranes. E.g. for solar cells, antennas or similar.

Installation and load capacity

The correct use of the roof console requires that an assessment is made considering the loads to which the individual roof console will be exposed during the intended lifetime as a result of, e.g. wind, snow, cold and heat. For this assessment, it is crucial that the overall installed system is taken into account so that it also includes, e.g.: the roof covering, the vapour barrier, the insulation thickness, etc.

FIXNORDIC recommends that the dimensioning be carried out by system suppliers, profile suppliers, solar cell suppliers or consulting engineers. FIXNORDIC participates – if necessary – from the design phase to the pre-assembled system.

If the roof console is used in connection with a solar cell installation where FIXNORDIC has carried out the design of the frame system and its attachment, the documentation and dimensioning for the application will be part of the relevant system documentation.

ORDERING

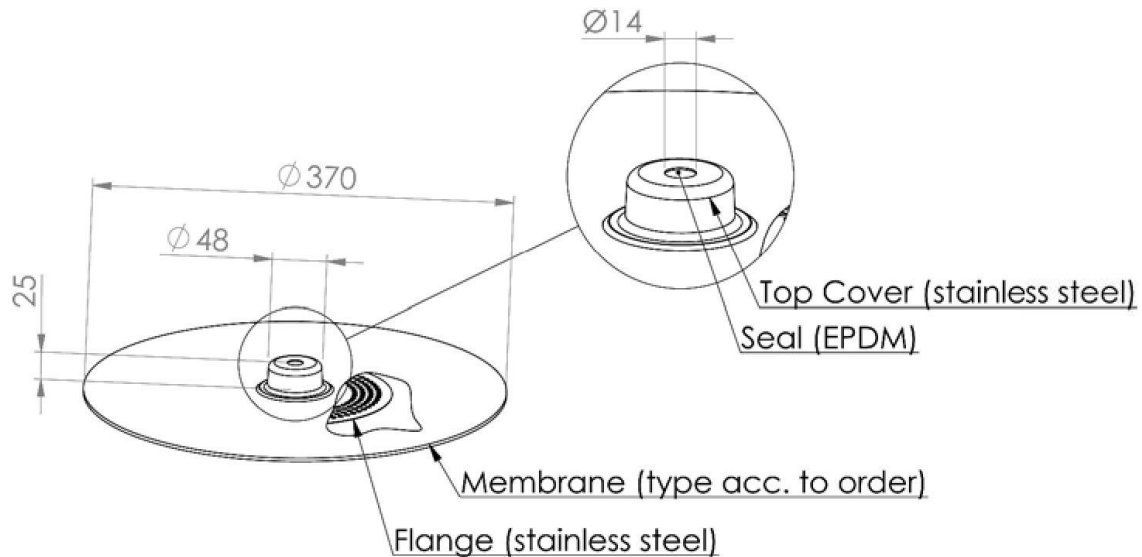
Type	Article number
Roof console for pitched roof	225000-1xx Article number – membrane code
Find the membrane code under “Membrane overview” at fixnordic.dk	

MATERIALS

Flange: Stainless steel
 Membrane: The type of the integrated membrane can be specified for each project



TECHNICAL SPECIFICATIONS



INSTALLATION

GENERAL INSTALLATION INSTRUCTIONS

For each individual installation, a decision should be made as to which type of membrane the console is to be delivered with, so that the installation can be carried out in accordance with the requirements from the client, the executing roofer and in accordance with other industry technical regulations.

In relation to the actual mounting on the roof, the flashing is made with a round piece of roof membrane, and thus the orientation is not decisive.

APPLICATION

The console is designed with the aim of providing a systematic and technically correct solution for pitched roofs with roofing felt, where socket set screws or similar have been selected for fastening. It is possible to use the flashing for a screw size of up to 12 mm and down to roof inclinations of 1:5 (11,3°).

When using the flashing, it is a prerequisite for tightness that FIXNORDIC fasteners are used. In addition, it is important to ensure that the flashing is placed in such a way that, in the case of normal rain showers, no water is stored above the flashing.

INSTALLATION

Mounting on pre-mounted socket set screws or similar

For this mounting case, it is recommended that a hole be punched in the gasket of the flashing in order for the flashing to be pressed down over the thread of the screw.

Mounting with socket set screw

For this mounting case, the socket set screw is screwed through the flashing gasket, and then the socket set screw is mounted with the pre-assembled flashing.

The assembly for both mounting cases is completed by tightening the EPDM gasket on the fastening element towards the covering top, so that the final seal is achieved.

