



FIXNORDIC.DK

Roof console DirectFix 1-layer From FIXNORDIC



DATASHEET

Roof console DirectFix 1-layer
From FIXNORDIC

PRODUCT DESCRIPTION

FIXNORDIC roof console DirectFix 1-layer

The Roof Console DirectFix has been developed based on market experiences and constructive customer feedback and is targeted for application onto flat roof surfaces with 1-layer roof coverings, bituminous or a wide range of synthetic types (PVC, TPO, FPO, EPDM etc.).

Application and load capacity

The precondition for the correct use of the DirectFix roof console is that a qualified analysis of the various loads (wind, snow, cold and heat), which will affect each console throughout the expected life of the installation, is carried out. It is crucial that the analysis focuses on the complete system and thus includes elements such as: The roof deck, the VCL, insulation thickness, etc.

FIXNORDIC recommends that the load design be carried out either by the system suppliers, suppliers of the assembly system, solar cell contractors, consulting engineers or architects and points out that FIXNORDIC is available to help in this process.

If the DirectFix roof console is used as part of a complete solar installation where FIXNORDIC has carried out the load design of the mounting system, including fixation, the specific console configuration with corresponding load calculations will be part of the standard project documentation.

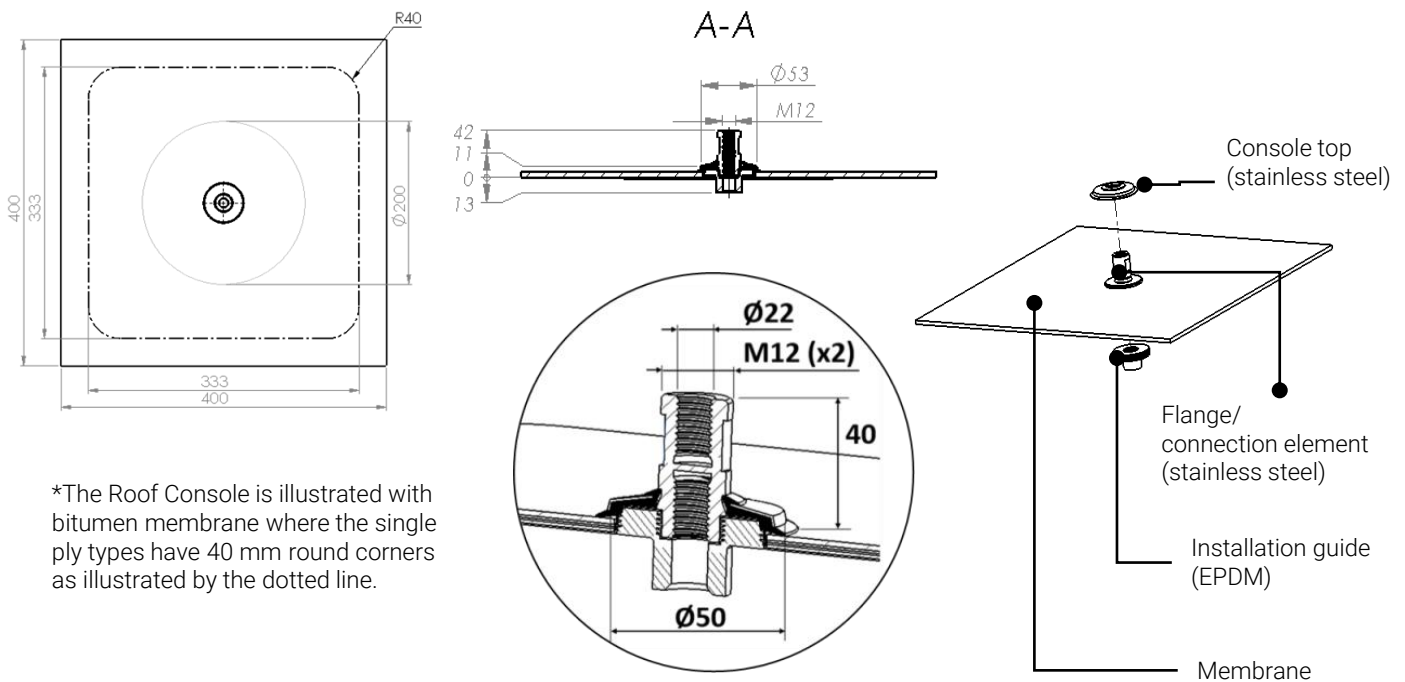
ORDERING

Type	Article number
Roof console DirectFix 1-layer	220062-xxx Article number – membrane code
Find the membrane code under "Membrane overview" at fixnordic.dk	

MATERIALS

Flange:	Stainless steel
Console top:	Stainless steel
Membrane:	The type of the integrated membrane can be specified for each individual project
Installation guide:	EPDM

TECHNICAL SPECIFICATIONS



INSTALLATION

GENERAL INSTALLATION GUIDELINES

The roof console DirectFix is designed with a stainless steel flange with a centrally positioned connecting element with 2 separated and concentric blind holes each with an M12 internal thread.

The stainless steel flange additionally forms the contact surface for the membrane integration, and the console top ensures that the membrane is effectively restrained in the center of the console.

The roof console is always combined with a console anchor, which is selected based on the specific roof structure for each project. Therefore, when planning a new project, it is necessary to choose the console anchor and choose the right type of membrane - both in terms of colour and material - to ensure compliance with the roof covering, as well as any possible requirements of the roofer or building contractor.

For further information about anchor types for the DirectFix roof console please refer to the present application matrix or contact FIXNORDIC.

APPLICATION:

The DirectFix roof console is made with the aim of achieving an efficient, safe and simple system solution for fixing fully covering solar installations on flat roofs, where the technical requirements are set with the goal of utilizing materials and resources in the most efficient way for this type of installation.

The product, like the current range of console products, has been developed in close collaboration with the roofing industry, taking into account current industry guidelines and intentions.

INSTALLATION

The first step in the installation process of the DirectFix roof console is to install the selected console anchor to which the console is connected by turning the anchor into the inner M12 thread on the connecting element. When the console is rotated until it aligns evenly with the surface of the roof, the position of the console is slightly adjusted until the intended membrane orientation relative to the roof is reached, and the membrane is then welded according to the requirements of the specific membrane.

FIXNORDIC recommends that roof consoles with a square-shaped membrane are oriented with a corner facing up towards the slope of the roof to ensure smooth drainage of the roof surface.

For more information on specific installation information, please refer to the present installation guidelines.

Regarding the welding of roof membranes, FIXNORDIC recommends that this work be carried out by educated roofers trained to work with the specific membrane.